

THROTTLE ORIFICE TO-F AND TO-M SERIES

FEATURES

- | | |
|-------------------------------|---------------|
| • Valve body: | brass |
| • Valve seat: | brass |
| • Shutter: | brass |
| • Seal cap | |
| • Max. operating pressure: | 3 bar |
| • Max. operating temperature: | -30°C + 180°C |

APPLICATIONS

- Manual adjustment valve even at reduced flows.
- Non sealing valve.
- Recommended for non-corrosive gases such as natural gas, L.P.G., air, nitrogen etc.

DESCRIPTION

The 1442-TO-F and TO-M throttle orifices are designed to provide an accurate flow control. The conical needle or cylindrical plug valve has a micrometer type screw thread adjusting stem and allows excellent adjustment possibilities even at reduced flows.

A TO-F and TO-M can be accurately adjusted with a screwdriver. A seal cap protects the adjustment preventing leakage.

INSTALLATION

- Throttle orifices may be mounted to operate in any position.
- It is recommended to mount adjusting valves downstream of any measuring device.
- Robust design ensures extended operation in extreme conditions.



F144201

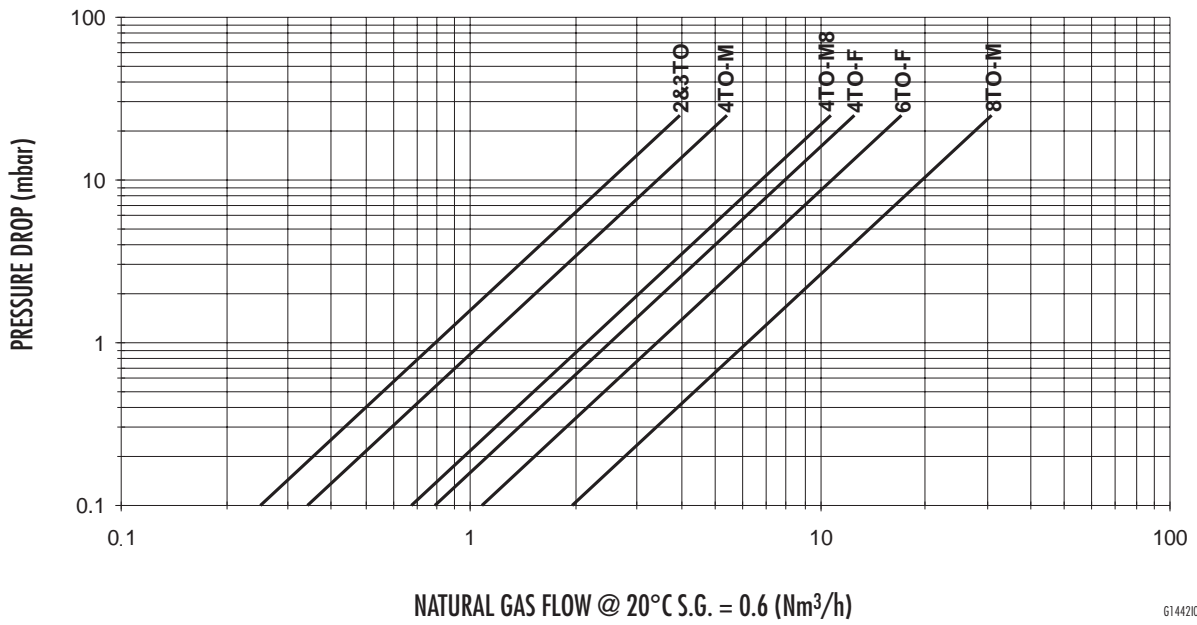


F144202

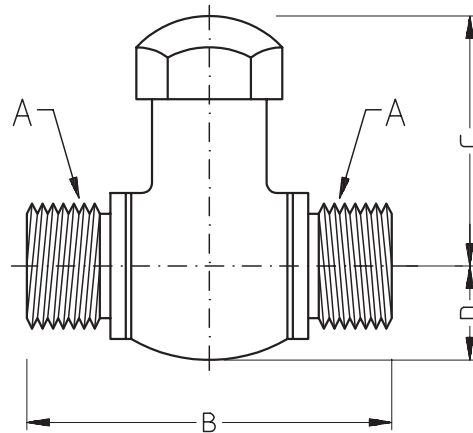


F144203

CAPACITY TABLE



DIMENSIONS



D1442/01

Catalog no.	ø A NPT	B mm	C mm	D mm	Orifice Dia.- mm	CV	Mass kg
2 TO-M	1/4" M	46	36	12	5	0.7	0.100
3 TO-M	3/8" M	46	36	12	5	0.7	0.110
4 TO-M	1/2" M	46	36	12	6	0.98	0.130
4 TO-M8	1/2" M	46	36	12	8	2	0.120
4 TO-F	1/2" F	64	51	13	8	2.3	0.260
6 TO-F	3/4" F	64	51	17	10	3.2	0.300
8 TO-M	1" M	64	51	16	12	5.7	0.350

M = Male threads
F = Female threads